

**Room CO<sub>2</sub> and temperature sensor or measuring transducer,  
in-wall in the panel switch programme,  
with active output**

The room sensor **AERASGARD® FSCO<sub>2</sub> / FSTM-CO<sub>2</sub>** in the in-wall enclosure is used for measuring the CO<sub>2</sub> content and temperature of the air. It converts the measured values into a standard signal of 0-10 V.

The CO<sub>2</sub> content of the air is measured using an optical NDIR sensor (non-dispersive infrared technology). A digital, long-term stable sensor is used for temperature measurement.

The in-wall sensor is mounted in high-quality panel switch programmes, ideally of the brands Gira, Berker, Merten, Jung, Siemens or Busch-Jaeger (using in-wall adapters) either individually or in combination with light switches, socket outlets, etc.

It is used in non-aggressive, dust-free environments, in refrigeration, air conditioning and clean room technology, and in interior rooms, such as living rooms, offices, hotels, etc.

**TECHNICAL DATA**

Power supply:	24 V AC / DC (± 10%)
Power consumption:	< 1,5 W / 24 V DC; < 2,9 VA / 24 V AC

**CARBON DIOXIDE [CO<sub>2</sub>]**

Sensor, CO <sub>2</sub> :	<b>optical NDIR sensor</b> (non-dispersive infra-red technology), with manual calibration (via zero button) and automatic calibration (fixed)
Long-term stability:	< 2% in 15 years
Measuring range, CO <sub>2</sub> :	0...2000 ppm
Output, CO <sub>2</sub> :	0-10 V
Measuring accuracy, CO <sub>2</sub> :	typically ± 30 ppm ± 3% of measured value
Temperature dependence, CO <sub>2</sub> :	± 5 ppm / °C or ± 0.5% of measured value / °C (whichever is higher)
Pressure dependence:	± 0.13% / mm Hg
Gas exchange:	by diffusion
Warm up time:	approx. 1 hour
Response time:	< 2 minutes

**TEMPERATURE**

Sensor:	<b>digital temperature sensor,</b> low hysteresis, high long-term stability
Long-term stability:	± 1% per year
Measuring range:	0...+50 °C
Deviation, temperature:	typically ± 0.8 K at +25 °C
Output, temperature:	0-10 V

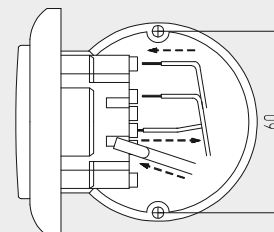
Mounting:	in-wall flush box Ø 55 mm
Electrical connection:	0,14 - 1,5 mm <sup>2</sup> , via screw terminals
Ambient temperature:	Storage -35...+85 °C; Operation 0...+50 °C
Permitted humidity:	max. 90% r.H., non-precipitating air
Medium:	clean air and other non-aggressive, non-combustible gases
Protection class:	III (according to EN 60 730)
Protection type:	IP 20 (according to 60 529)
Standards:	CE-conformity, electromagnetic compatibility according to EN 61 326, EMC Directive 2014 / 30 / EU

**SWITCH PROGRAMME**

Manufacturer:	GIRA System 55 (other switch programmes, manufacturers, colours as well as prices available upon request)
Enclosure:	plastic, the standard colour is pure glossy white (similar to RAL 9010) (other colours are available upon request with colour variants depending on the respective light switch programme)

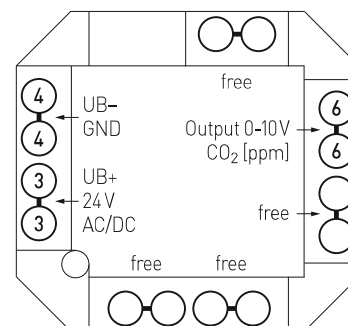
Mounting diagram

in-wall



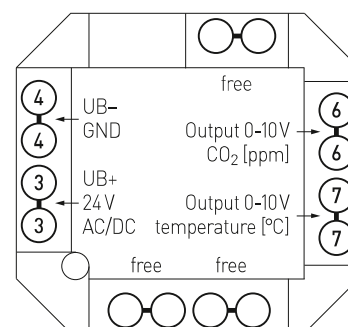
Connection diagram

FSCO<sub>2</sub>



Connection diagram

FSTM-CO<sub>2</sub>





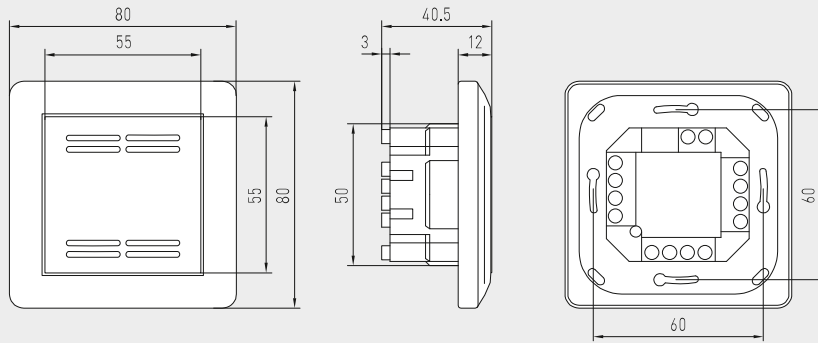
**NEW**

S+S REGELTECHNIK

AERASGARD® FSCO<sub>2</sub>  
AERASGARD® FSTM-CO<sub>2</sub>

Room CO<sub>2</sub> and temperature sensor or measuring transducer,  
in-wall in the panel switch programme,  
with active output

Dimensional drawing



FSCO<sub>2</sub>  
FSTM-CO<sub>2</sub>

FSCO<sub>2</sub>  
FSTM-CO<sub>2</sub>



CO<sub>2</sub> content table  
MR: 0...2000 ppm

ppm	U <sub>A</sub> (V)
0	0.00
350	1.75
400	2.00
450	2.25
500	2.50
550	2.75
600	3.00
700	3.50
800	4.00
900	4.50
Continued to the right ...	

ppm	U <sub>A</sub> (V)
1000	5.0
1100	5.5
1200	6.0
1300	6.5
1400	7.0
1500	7.5
1600	8.0
1700	8.5
1800	9.0
1900	9.5
2000	10.0

Temperature table  
MR: 0...+50 °C

°C	U <sub>A</sub> (V)
0	0.0
5	1.0
10	2.0
15	3.0
20	4.0
25	5.0
30	6.0
35	7.0
40	8.0
45	9.0
50	10.0

AERASGARD® FSCO<sub>2</sub> Room CO<sub>2</sub> sensor or measuring transducer, in-wall  
AERASGARD® FSTM-CO<sub>2</sub> Room temperature and CO<sub>2</sub> sensor or measuring transducer, in-wall

Type / WG02	Measuring Range CO <sub>2</sub>	Temperature	Output CO <sub>2</sub>	Temperature	Item No.	Price
<b>FSCO<sub>2</sub></b>						
FSCO2-U	0...2000 ppm	-	0-10 V	-	1501-9120-1001-162	285,00 €
<b>FSTM-CO<sub>2</sub></b>						
FSTM-CO2-U	0...2000 ppm	0...+50 °C	0-10 V	0-10 V	1501-9122-1001-162	289,00 €