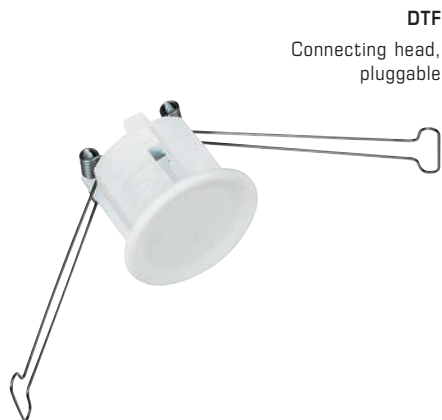


**In-ceiling temperature sensors  
with passive output**

**THERMASGARD® DTF** is a small in-ceiling resistance thermometer with passive output for in-wall installation, e.g. in plasterboard walls or suspended ceilings. The in-ceiling temperature sensor DTF is preferably installed in ceilings and walls, blends in seamlessly with the overall architectural design and detects the temperature at the surface. The connecting head is pluggable for quick, easy mounting.



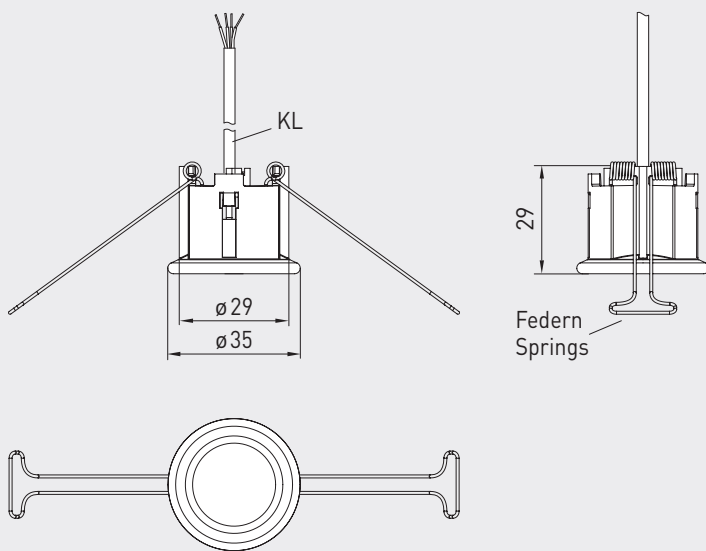
**DTF**  
Connecting head,  
pluggable

**TECHNICAL DATA**

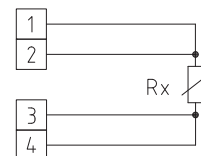
Measuring range:	-20...+90 °C
Sensors / output:	see table, passive
Connection type:	4-wire connection <b>terminal 1 / 2: +</b> (marked red, wire colours: yellow, brown) <b>terminal 3 / 4: -</b> (marked black, wire colours: white, green)
Testing current:	< 0.6 mA (Pt1000) < 1.0 mA (Pt100) < 0.3 mA (Ni1000, Ni1000 TK5000) < 2.0 mW (NTC xx) 400 µA...5 mA (LM235Z)
Connecting head:	plastic, material polycarbonate (PC), colour white (can be painted as an option), <b>pluggable</b>
Connecting cable:	PVC, LiYY, 4 x 0.14 mm <sup>2</sup> , KL = approx. 2 m
Process connection:	inside suspended ceiling, ceiling cutout Ø = 30 mm, cover Ø = < 35 mm
Insulating resistance:	≥ 100 MΩ, at +20 °C (500V DC)
Humidity:	< 95 % RH, non-precipitating air
Protection class:	III (according to EN 60 730)
Protection type:	<b>IP 30</b> (according EN 60529) Sensor in the built-in state

**Dimensional drawing**

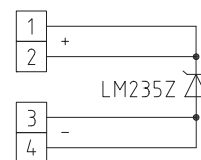
**DTF**



**1x four-wire connection  
standard**

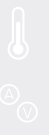
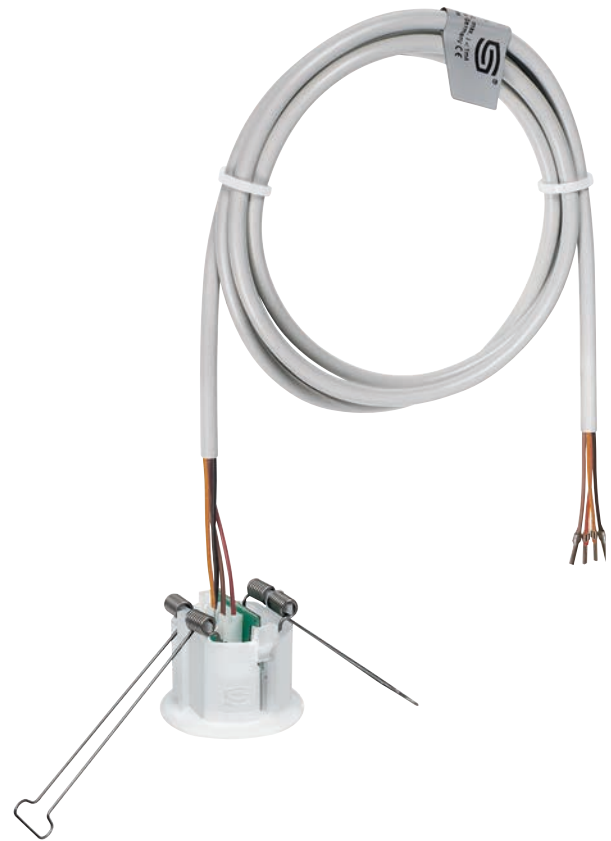


**1x four-wire connection  
LM235Z (KP 10)**





DTF



THERMASGARD® DTF In-ceiling temperature sensors

Type / WG03	Sensor / Output	Item No.
<b>DTF</b>		<b>IP30</b>
DTF Pt100	Pt100 (according to DIN EN 60 751, class B)	1101-60C0-1003-000
DTF Pt1000	Pt1000 (according to DIN EN 60 751, class B)	1101-60C0-5003-000
DTF Ni1000	Ni1000 (according to DIN EN 43760, class B, TCR = 6180 ppm / K)	1101-60C0-9003-000
DTF NiTK	Ni1000 TK5000 (TCR = 5000 ppm / K), LG- Ni1000	1101-60C1-0003-000
DTF LM235Z	LM235Z (TCR = 10 mV / K; 2.73 V at 0 °C), KP10	1101-60C2-1003-000
DTF NTC1,8K	NTC 1.8K	1101-60C1-2003-000
DTF NTC10K	NTC 10K	1101-60C1-5003-000
DTF NTC20K	NTC 20K	1101-60C1-6003-000
Note:	Other sensors optional	on request